

SUBJECT:- BRAKE PAD KITS (SLOTTED TYPE).

MODELS AFFECTED.

INTRODUCED AT CHASSIS NUMBERS.

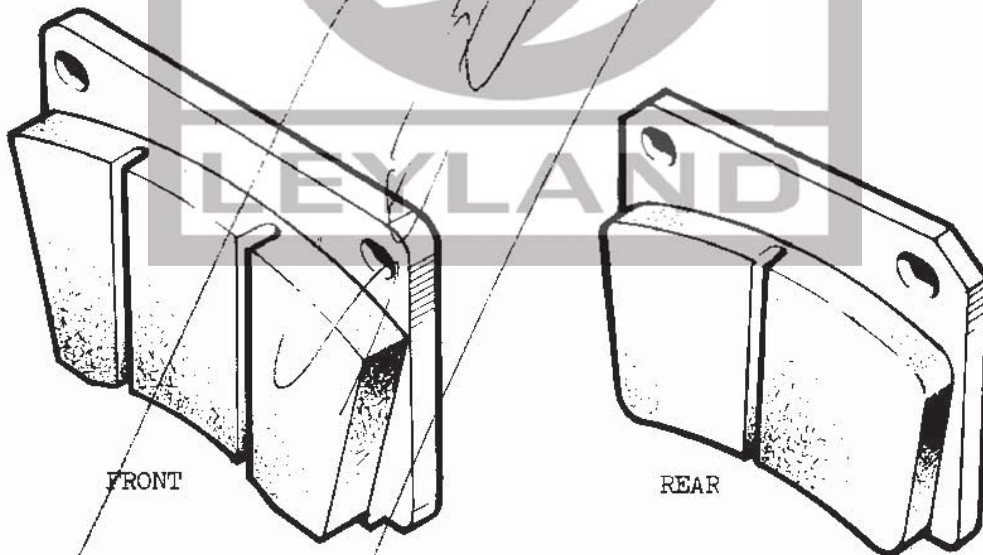
SERIES 3 'E' TYPE OPEN
 SERIES 3 'E' TYPE 2+2
 XJ6 - 2.8 LITRE
 XJ6 - 4.2 LITRE
 SOVEREIGN - 2.8 LITRE
 SOVEREIGN - 4.2 LITRE

RHD.	LHD.
1S.1429	1S.20882
1S.51316	1S.73684
	1G.55863
	1L.68814
	1T.50157
	1U.50549

From the above Chassis Numbers revised Brake Pad Kits were fitted.
 Details are as follows:-

Part No.	Description.	Qty.	Remarks.
C.39136	+ Front Brake Pad Kit (4 Pads), for Front Calipers	1	
C.39137	+ Rear Brake Pad Kit (4 Pads), for Rear Calipers	1	

The revised Pads are identified by slots, as illustrated below :-



Please destroy the original issue of this Bulletin and insert issue 2 in its place.

SUBJECT:- BRAKE PAD KITS (SLOTTED TYPE).

MODELS AFFECTED.

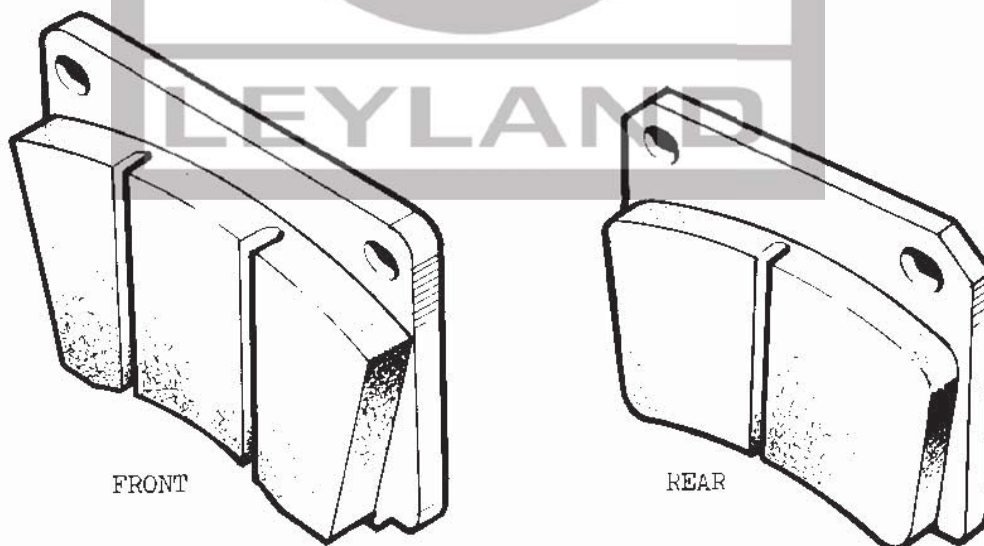
INTRODUCED AT CHASSIS NUMBERS.

	RHD.	LHD.
SERIES 3 'E' TYPE OPEN	1S.1429	1S.20882
SERIES 3 'E' TYPE 2+2	1S.51316	1S.73684
XJ6 - 2.8 LITRE	1G.12902	1G.55863
XJ6 - 4.2 LITRE	1L.28789	1L.68814
SOVEREIGN - 2.8 LITRE	1T.3687	1T.50157
SOVEREIGN - 4.2 LITRE	1U.9817	1U.50549

From the above Chassis Numbers revised Brake Pad Kits were fitted. Details are as follows:-

Part No.	Description.	Qty.	Remarks.
C.39136	+ Front Brake Pad Kit (4 Pads), for Front Calipers	1	
C.39137	+ Rear Brake Pad Kit (4 Pads), for Rear Calipers	1	

The revised Pads are identified by slots, as illustrated below :-





Jaguar—Daimler

Parts Technical Information

Volume J3

Number J12

December 1978

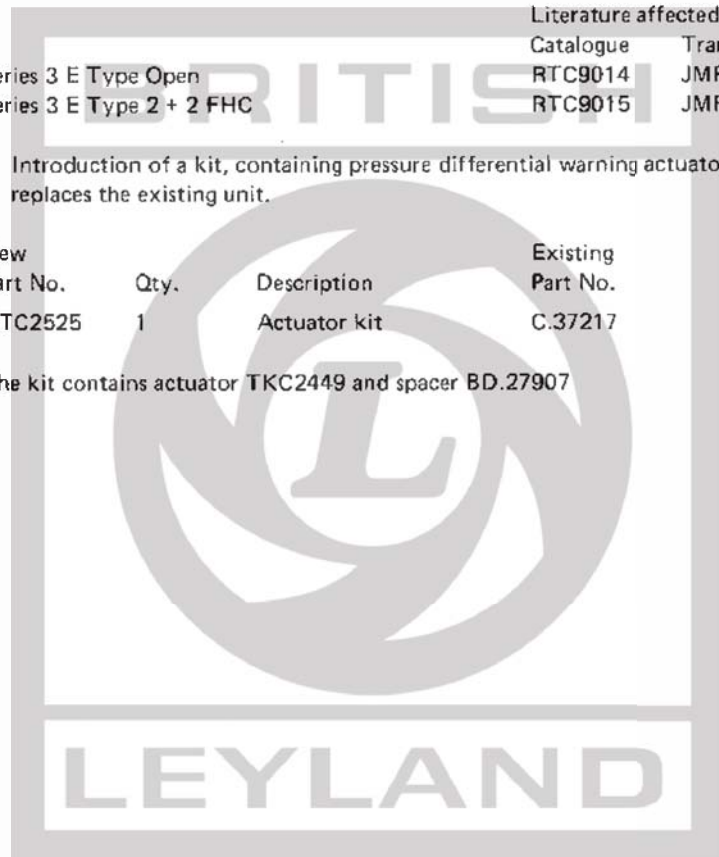
Leyland Cars
Service and Parts Division

British Leyland UK Limited
Jaguar & Rover Triumph, Parts & Accessories
P.O. Box 150, Fletchamstead Highway
Coventry CV4 9DB

Item 63

SUBJECT: ACTUATOR KIT

MODELS:			Literature affected		Remarks
	Series 3 E Type Open	Series 3 E Type 2 + 2 FHC	Catalogue	Transparency	
			RTC9014	JMF2/E	
			RTC9015	JMF2/E	
MODIFICATION:	Introduction of a kit, containing pressure differential warning actuator valve and spacer, which replaces the existing unit.				
PART NUMBER:	New Part No.	Qty.	Description	Existing Part No.	
	RTC2525	1	Actuator kit	C.37217	
NOTE:	The kit contains actuator TKC2449 and spacer BD.27907				



Item 85

SUBJECT: REAR BRAKE DISC

MODELS: See 'NOTE' below.

MODIFICATION: Introduction of modified rear brake disc deleting the access holes for the caliper mounting plate bolts.

PART NUMBERS:	New Part No.	Qty	Description	Existing Part No.	Remarks
	C.46113	2	Brake disc, rear	C.26779	

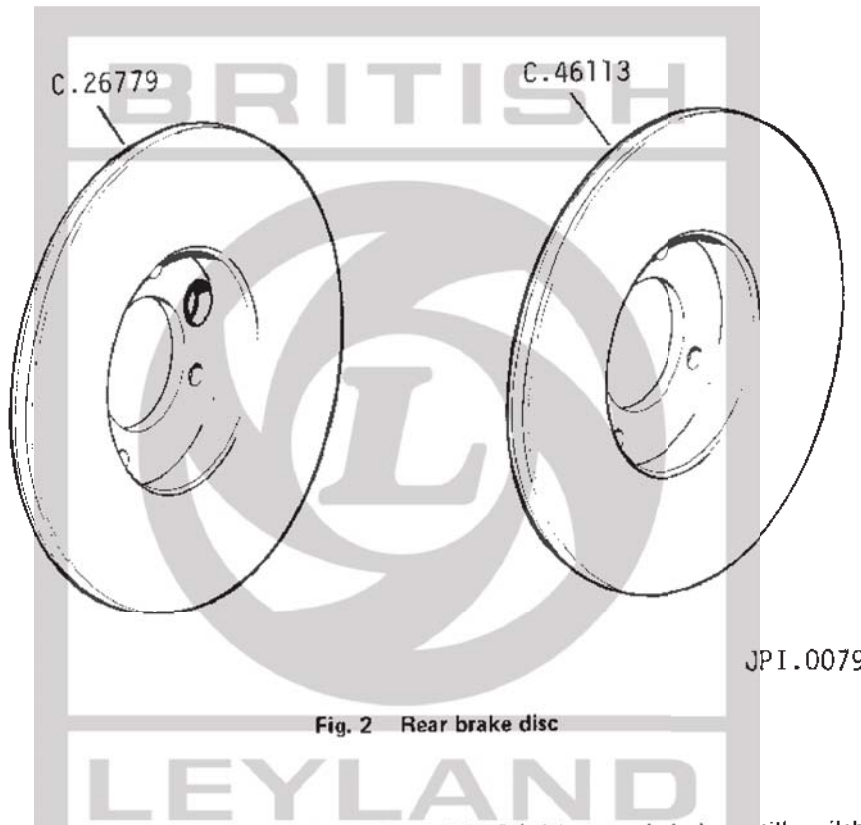


Fig. 2 Rear brake disc

NOTE: Only limited stocks of the existing disc C.26779 (with access holes) are still available. In order to avoid creating an out of stock situation Distributors and Dealers are requested to use the new disc as a replacement on earlier models which do not require the access holes. The model applicability for both discs being as follows:—

C.26779 = Jaguar S Type, 420, 4.2 litre Mark 10, 420G, 4.2 litre E type, Series 2 E type Daimler Sovereign (pre '69), Limousine.

C.46113 = Jaguar XJ6 series 1 and 2, XJ12 series 1 and 2, Series 3 E type, XJ-S Daimler Sovereign series 1 and 2, Double-Six series 1 and 2.