

SUBJECT:- EXHAUST SYSTEM.

MODELS AFFECTED.

INTRODUCED AT CHASSIS NUMBERS.

|                          | RHD      | LHD      |
|--------------------------|----------|----------|
| SERIES 3 'E' TYPE - OPEN | 1S.1741  | 1S.22046 |
| SERIES 3 'E' TYPE - 2+2  | 1S.51617 | 1S.74662 |

From the above Chassis Numbers a revised Rear Silencer and Tail Pipe were fitted to the above models. Details are as follows :-

| Part No.   | Description.                     | Qty. | Remarks.          |
|------------|----------------------------------|------|-------------------|
| C.41259 +  | Rear Silencer and Pipes Assembly | 1    | Replacing C.34791 |
| C.41278 +  | Tail Pipes Assembly              | 1    | Replacing C.34795 |
| UFS.125/4R | Setscrew ) securing              | 8    |                   |
| C.724      | Shakeproof Washer ) Tail Pipe    | 8    |                   |
| UFN.125/N  | Nut ) to Silencer                | 8    |                   |

NOTE:- The revised Rear Silencer and Tail Pipe are interchangeable with the previous ones in pairs only.





# Jaguar—Daimler Parts Technical Information

Volume J1  
May 1975  
Number J17

Jaguar and Rover Triumph  
Parts and Accessories  
British Leyland UK Limited  
PO Box 150  
Coventry CV4 9DB

**Item 56**

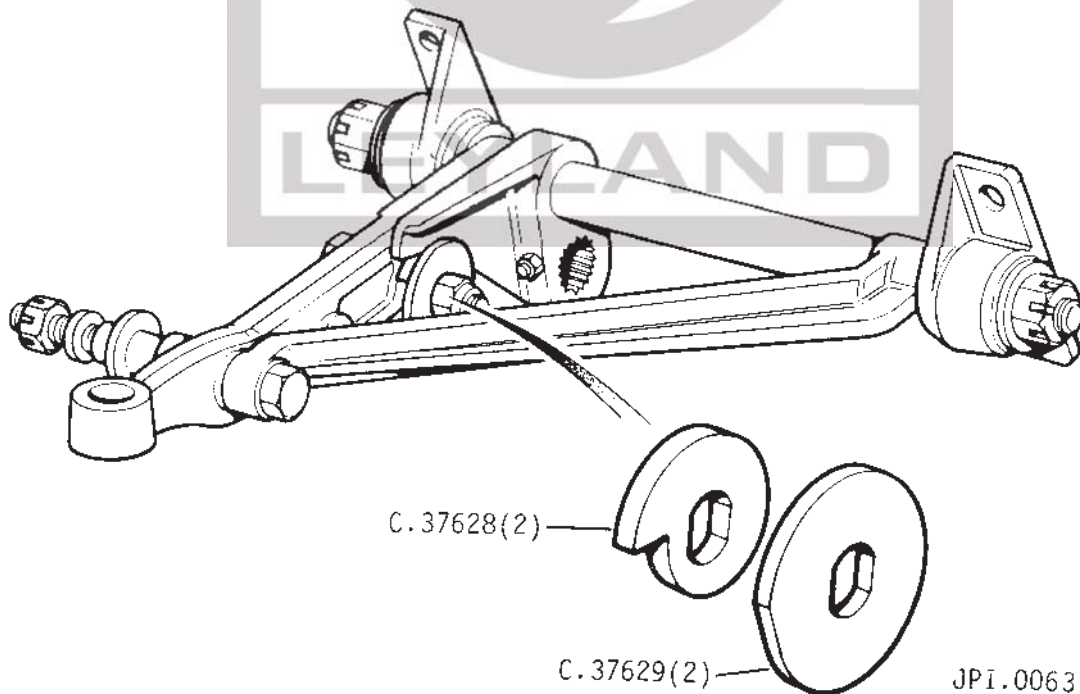
**SUBJECT: CAM FOR ADJUSTING RIDE HEIGHT ON FRONT LOWER WISHBONE**

**MODELS:** Series 3 E-Type—Open 2 seater  
Series 3 E-Type—2+2 FHC

| Literature affected |              |
|---------------------|--------------|
| Catalogue           | Transparency |
| RTC9014             | JMF.2E       |
| RTC9015             | JMF.2E       |

**MODIFICATION:** Supplies of the first type cam for adjusting the front suspension ride height C.33096 can no longer be obtained. Should this part require replacing it will be necessary to fit the later cam C.37628 together with the later retaining washer C.37629.

| PART NUMBERS: | New      |      | Description  | Existing |          | Remarks |
|---------------|----------|------|--|----------|----------|---------|
|               | Part No. | Qty. |  | Part No. | Part No. |         |
|               | C.37628  | 2    | Cam, on front suspension lower wishbone, for adjusting ride height | C.33096  |          |         |
|               | C.37629  | 2    | Retaining washer for cam   | C.33102  |          |         |



JPI.0063

**Item 61**

**SUBJECT: EXHAUST SILENCER REAR**

|         |                               |                     |              |
|---------|-------------------------------|---------------------|--------------|
|         |                               | Literature affected |              |
|         |                               | Catalogue           | Transparency |
| MODELS: | Series 3 E-Type—Open 2 seater | RTC9014             | JMF.2E       |
|         | Series 3 E-Type—2+2 FHC       | RTC9015             | JMF.2E       |

**MODIFICATION:** Supplies of the first type rear exhaust silencer (four outlets) can no longer be obtained. Should this part require replacing it will be necessary to fit the later silencer, C.41259 (two outlets) together with the later tail pipe C.41278.

| PART NUMBERS: | New Part No. | Qty. | Description                    | Existing Part No. | Remarks |
|---------------|--------------|------|--------------------------------|-------------------|---------|
|               | C.41259      | 1    | Rear exhaust silencer assembly | C.34791           |         |
|               | C.41278      | 1    | Tail pipe                      | C.34795           |         |

