

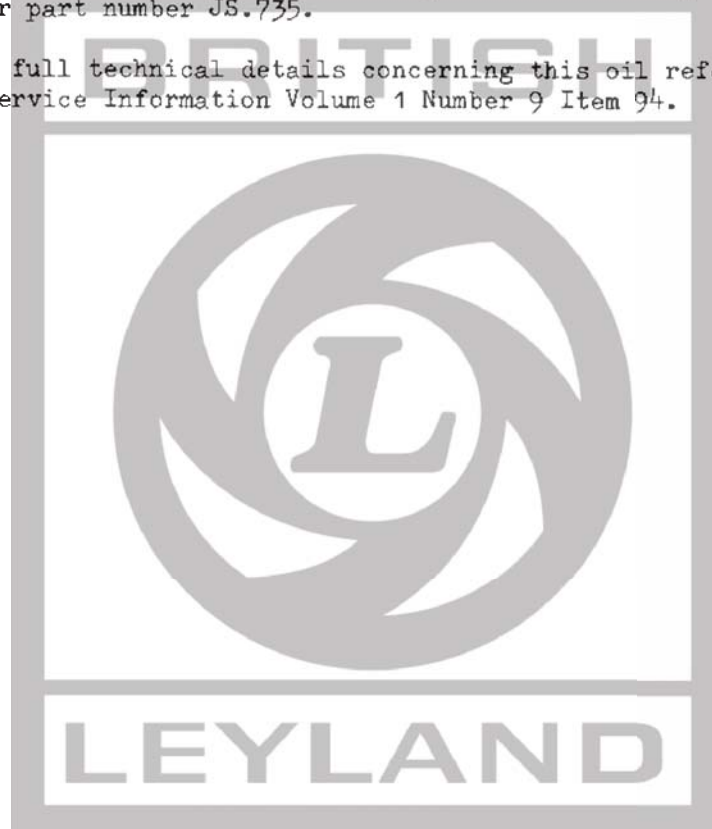
SUBJECT:- FINAL DRIVE OIL.

MODELS AFFECTED.

XJ12 and XJ12L
DOUBLE SIX
DOUBLE SIX VANDEN PLAS
SERIES 3 'E' TYPE

An improved Final Drive Oil has recently been introduced on the above models. This special oil which is only obtainable from the Jaguar-Daimler Spares Division will be supplied in one gallon containers, and should be ordered under part number JS.735.

For the full technical details concerning this oil reference should be made to Service Information Volume 1 Number 9 Item 94.



Jaguar and Rover Triumph
Parts and Accessories
British Leyland UK Limited
PO Box 150
Coventry CV4 9DB

Item 10

SUBJECT: POWER STEERING PUMP

MODEL:	Daimler Limousine	Introduced from		Literature affected	
		RH Steering	LH Steering	Catalogue	Transparency
		1M.2662	1M.20096	JC.53	
Also fitted to:— 1M.2644, 1M.2646, 1M.2654, 1M.2655, 1M.2657					

MODIFICATION: Introduction of revised power steering pump and addition of restrictor washer.

PART NUMBERS:	New Part No.	Qty.	Description	Existing Part No.	Remarks
	C.43127	1	Power steering pump	C.27450	
	C.43314	1	Restrictor washer	—	

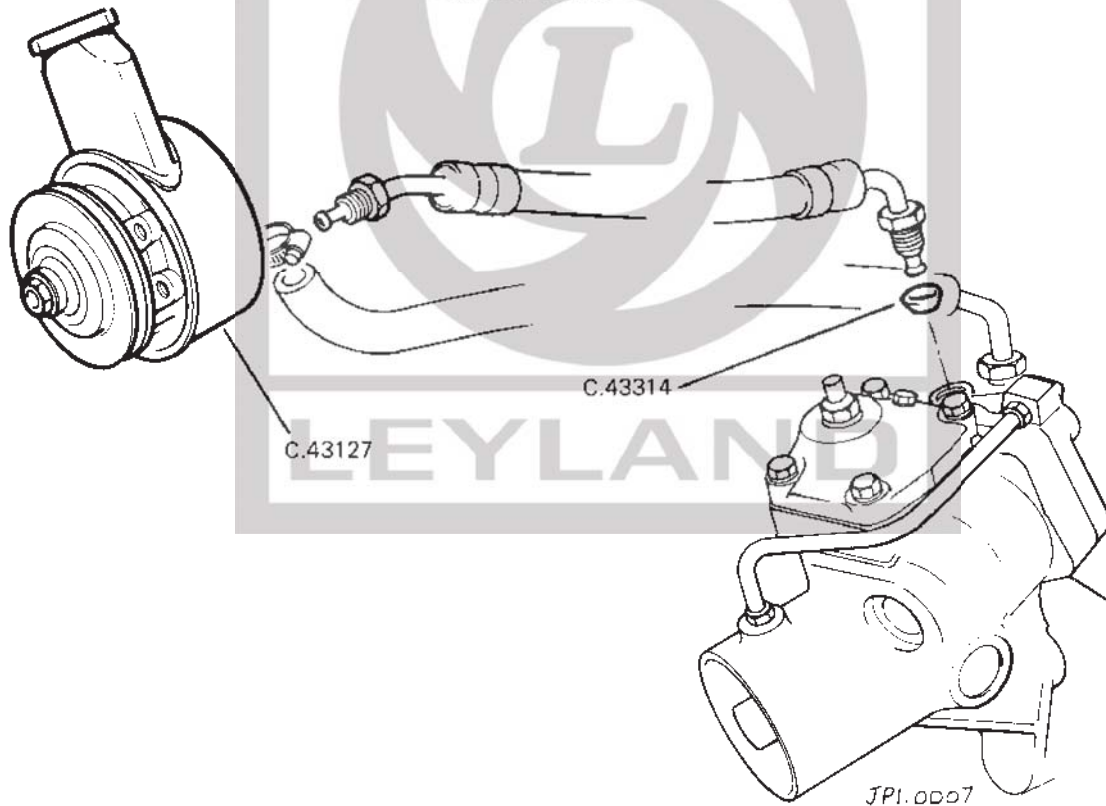


Fig. 1 Power steering pump and restrictor washer

NOTE: Although the two pumps are interchangeable as complete assemblies it is **ESSENTIAL** that when using the new pump C.43127 as a replacement for the existing pump C.27450 the restrictor C.43314 **MUST ALSO BE FITTED.**

Item 11

SUBJECT: OIL SEAL FOR FINAL DRIVE UNIT AXLE SHAFT

MODELS: XJ6 Series 1 and 2
Sovereign Series 1 and 2
XJ12 Series 1 and 2
Double-Six Series 1 and 2
Series 3 E Type

MODIFICATION: Oil Seal is now available as a separate item, previously this was only available as part of the Drive Shaft Oil Seal Container Assembly.

PART NUMBERS:	New Part No.	Qty.	Description	Existing Part No.	Remarks
	RTC1216	1	Oil Seal		

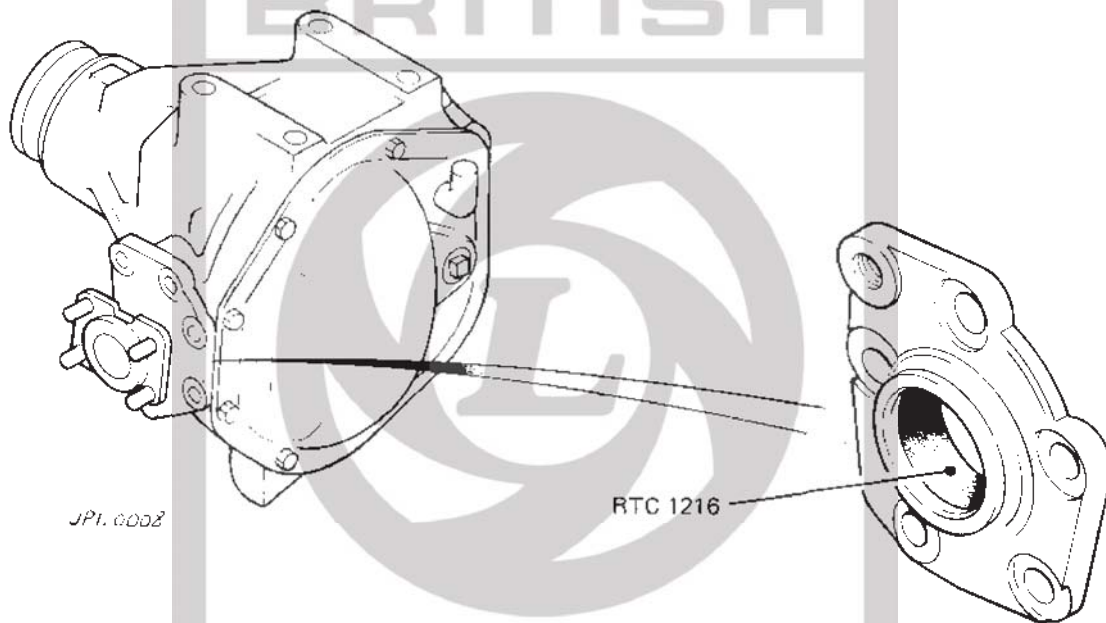


Fig. 2 Axle shaft oil seal