

SUBJECT:- FRONT SUSPENSION ADJUSTER CAM.

MODELS AFFECTED.

SERIES 3 'E' TYPE OPEN  
SERIES 3 'E' TYPE 2+2

INTRODUCED AT CHASSIS NUMBERS.

	RHD	LHD
	1S.1348	1S.20569
	1S.51263	1S.73372

From the above Chassis Numbers a revised Torsion Bar Adjuster Cam was fitted.

The details of the new items are as follows :-

<u>Part No.</u>	<u>Description.</u>	<u>Qty.</u>	<u>Remarks.</u>
C.37628	+ Cam, on Front Lower Wishbone Lever for Torsion Bar Adjustment	2	
C.37629	+ Retaining Washer, for Cam	2	

TRANSPARENCY REFERENCE.

JMF.2 1ST EDITION

<u>ROW.</u>	<u>COLUMN.</u>
02	30
08	30

**LEYLAND**



# Jaguar—Daimler Parts Technical Information

Volume J1  
May 1975  
Number J17

Jaguar and Rover Triumph  
Parts and Accessories  
British Leyland UK Limited  
PO Box 150  
Coventry CV4 9DB

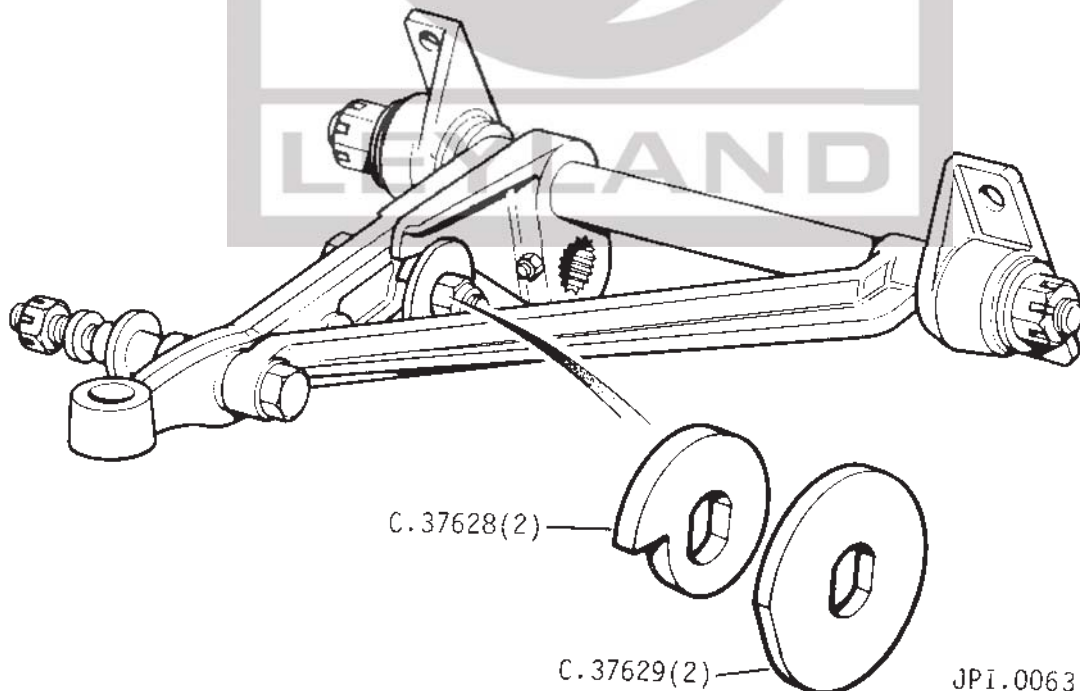
Item 56

SUBJECT: CAM FOR ADJUSTING RIDE HEIGHT ON FRONT LOWER WISHBONE

MODELS:	Literature affected	Catalogue Transparency	
		Catalogue	Transparency
Series 3 E-Type—Open 2 seater	RTC9014	JMF.2E	
Series 3 E-Type—2+2 FHC	RTC9015	JMF.2E	

MODIFICATION: Supplies of the first type cam for adjusting the front suspension ride height C.33096 can no longer be obtained. Should this part require replacing it will be necessary to fit the later cam C.37628 together with the later retaining washer C.37629.

PART NUMBERS:	New Part No.	Qty.	Description	Existing Part No.	Remarks
	C.37628	2	Cam, on front suspension lower wishbone, for adjusting ride height	C.33096	
	C.37629	2	Retaining washer for cam	C.33102	



JPI.0063

**Item 46**

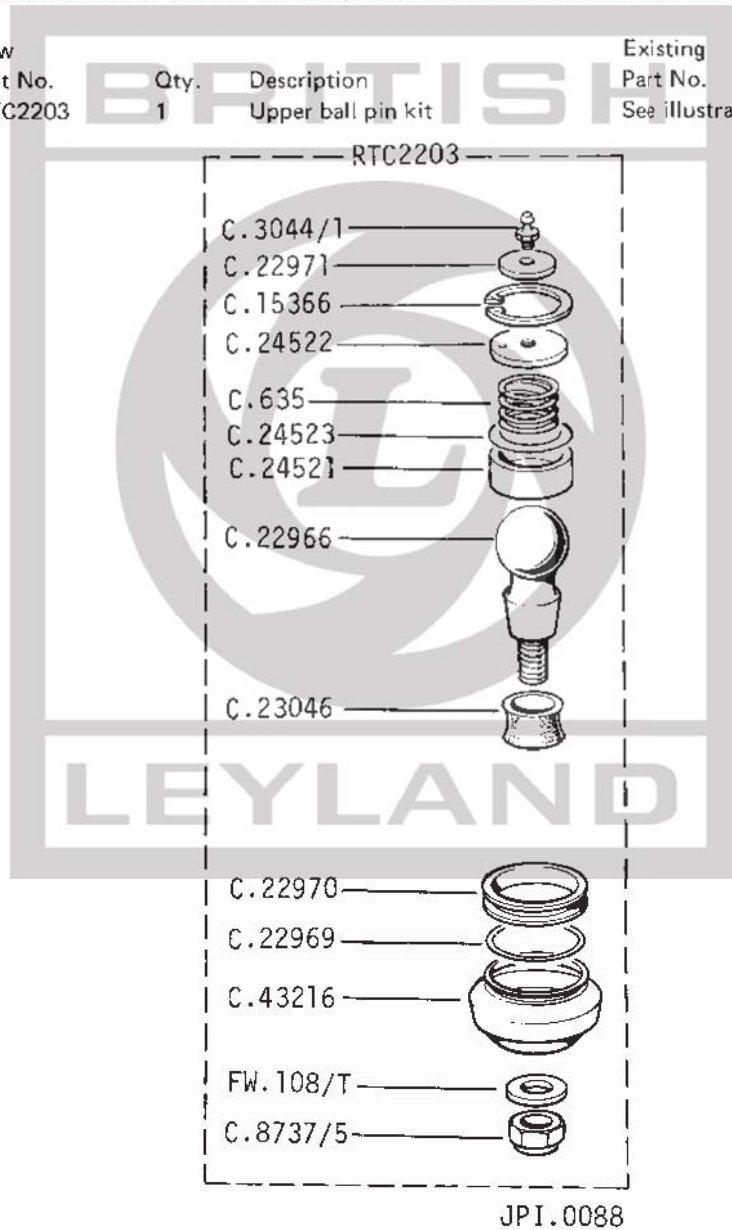
**SUBJECT: UPPER BALL PIN KIT**

**MODELS:** E Type 4.2 litre  
 E Type series 2  
 E Type Open series 3  
 E Type 2+2 FHC series 3

**Literature affected**  
 Catalogue Transparency  
 J37 JMF.2/E  
 IPL.5 JMF.2/E  
 RTC9014 JMF.2/E  
 RTC9015 JMF.2/E

**MODIFICATION:** Introduction of a kit for the complete overhaul of the Upper Ball Pin on the Front Suspension.

PART NUMBERS:	New Part No.	Qty.	Description	Existing Part No.	Remarks
	RTC2203	1	Upper ball pin kit	See illustration	



**Fig. 2 Upper ball pin kit**

**NOTE:** Items will still be available for individual replacement.